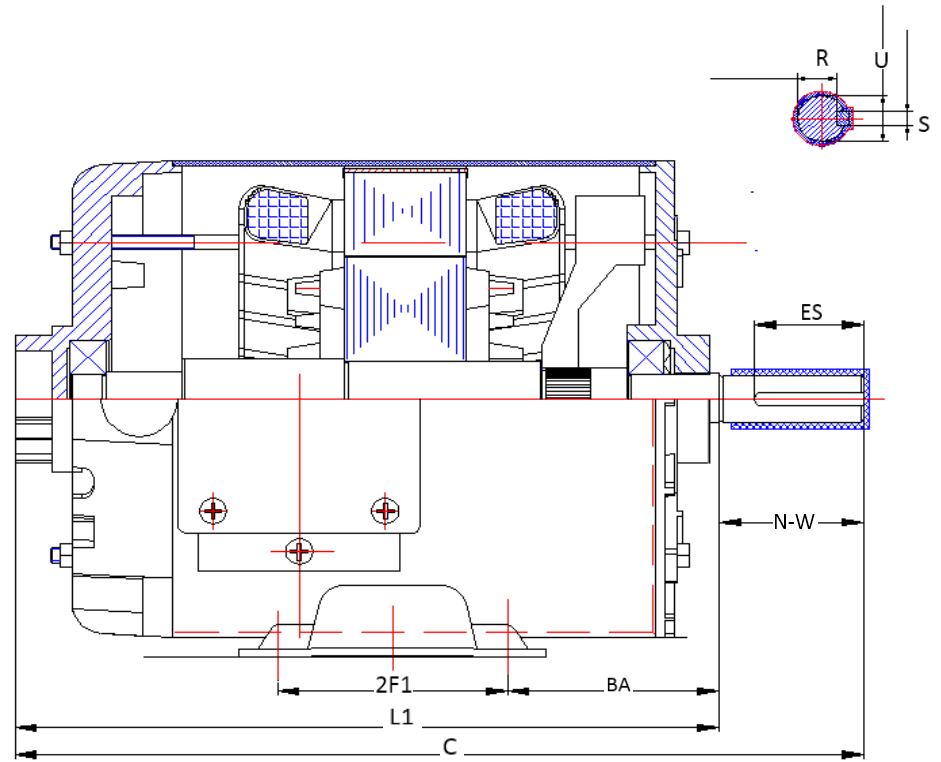
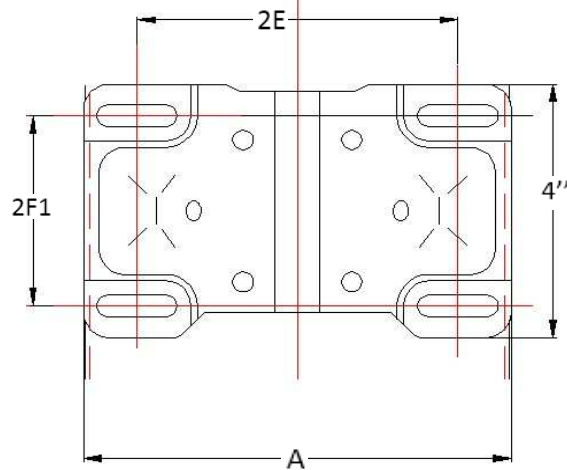
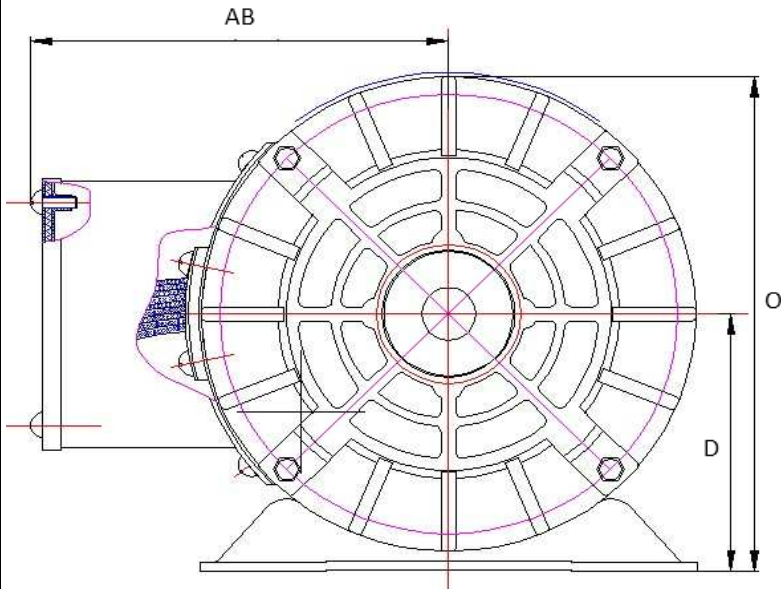
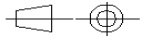


Orientation



Frame	D	2E	E	2F1	H	U	BA	N-W	C
56	3.5"	4.88"	2.44"	3.00"	5.00"	.34"	.625"	2.75"	11.06"
		BF	O	AB	A	R	ES	S	L1
		4 * 3/8"-16	7.44"	5.47"	6.5"	.517"	1.42"	.188"	9.17"

HP	RPM	VOLTAGE	FLA	SF	WGT	MLR-344W
3/4	1725	208-230/460	3.3-3/1.5	1.25	24.3	56 Frame 3 Ph Rolled Steel ODP

Revised: Feb. 2015

MaxMotion